

Perfect Solution for Replacing and Upgrading Aging Fan Coil Units

2 Pipe or 4 Pipe Retrofit Vertical Fan Coil Unit with Cabinet and Return Air Panel

Draw Through Unit

MODEL CR, CRS, or CRE, 350-800 CFM

HOT WATER/ CHILLED WATER



Climetec's Retrofit Vertical Fan Coil Units are the ideal cost-effective solution for replacing and upgrading your existing fan coil units. These units are perfect for use in high rise condos, apartments, Long Term Care facilities, and hotels.

These units are designed for seamless integration into your existing cabinet while offering an easy solution to upgrade your existing fan coil unit.

Each unit is manufactured using 18-gauge galvanized steel and is crafted with Industry Standard Electronically Commutated Fan Motors (ECM). Further, each unit is supplied with a 24v Control box with wiring and control board and hardware including wing nuts for bowler mount. Each unit is equipped with a standard MERV 8 filter.

Optional Unit Additions:

- Belimo 2 or 3 way valve
- Optional electric heater element 1.0KW (2 pipe unit only)
- Optional flood protection package with flood sensor, 2 wire actuator, and a check valve
- Other front panel configurations available (unit dependant)
- MERV filters can be upgraded to MERV 11 or MERV 13

FOR MORE INFORMATION PLEASE VISIT [WWW.HTTPS://CLIMETECMANUFACTURING.CA/](https://climetecmanufacturing.ca/)

CONTACT US AT P: 905-660-0700 E: info@climetec.ca

161 Milani Blvd, Vaughan, Ontario, Canada

Copyright 2018 Climetec

Retrofit Chassis for Vertical Fan Coil Unit with Cabinet

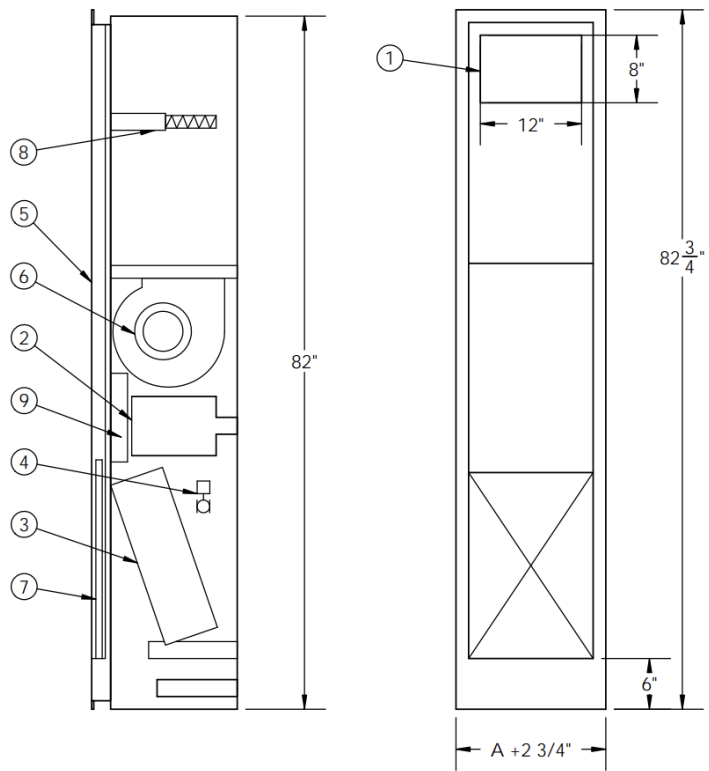
2 Pipe or 4 Pipe Draw Through Unit

Model CR, CRS, CRE 350-800 CFM

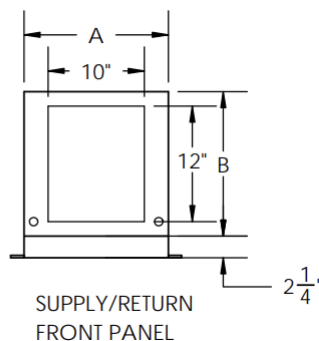
HOT WATER/ CHILLED WATER

Coil Option- 4 Row Coil

1. Supply Air Grille
2. Riser Connection
3. Coil
4. Actuator and Valve Body
5. Access Panel
6. ECM Fan Motor
7. Filter
8. Electrical Heater (Optional)
9. Control Board with Hinged Electrical Box



Dimensional Data				
Model	Unit Size	A	B	Filter Size
CR/E/S-3	350	15"	15"	14" x24"
CR/E/S-4	450	15"	15"	14" x24"
CR/E/S-6	600	15"	15"	14" x24"
CR/E/S-8	800	19"	18"	18" x24"



Performance Range:

Air Volume

Fancoil - 350-800 CFM @ 0.3 ESP

Thermal Performance:

Fan Coil - Nominal 3/4 to 2 ton cooling

Nominal 15 MBH to 73 MBH heating