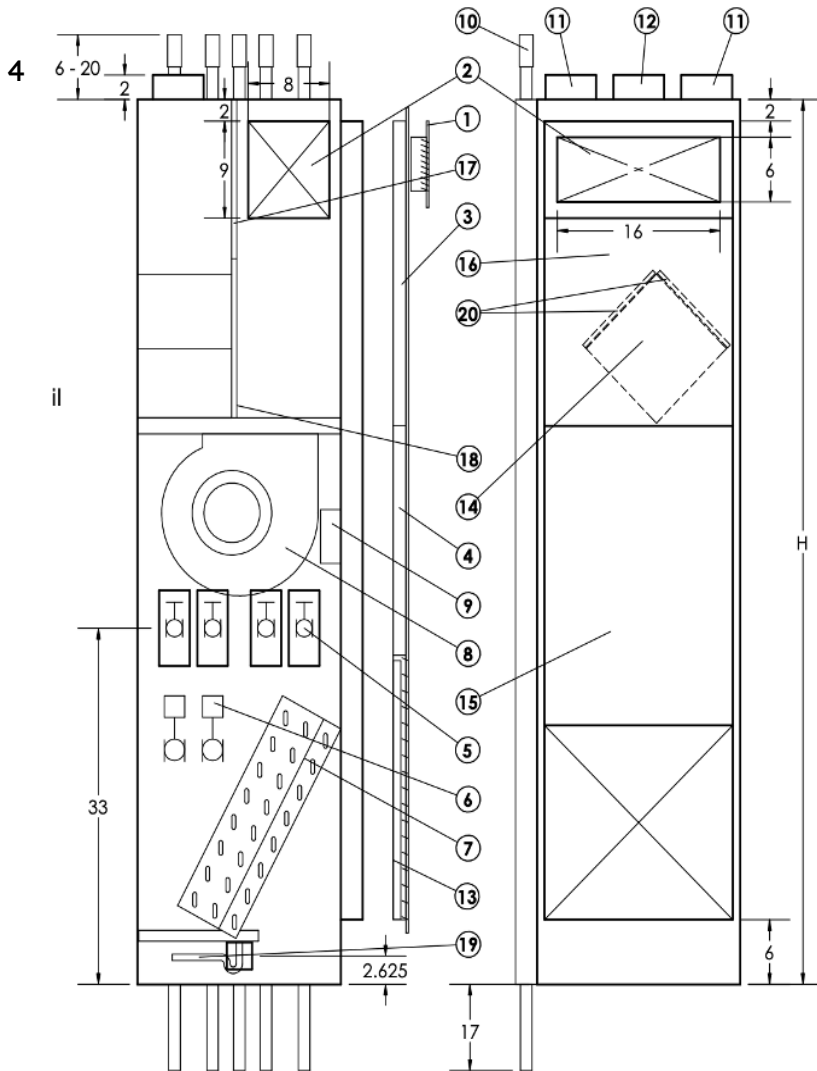


# Generation Two 4 Pipe Unit

## Model CIS-G2, 350-1200 CFM

With "A" Coil and High Efficiency Integral ERV

Hot Water / Chilled Water



Coil Options-  
Row Chilled Water, 2 Row Hot Water

1. Supply Air Grille
2. Optional Side, Front or Top Opening
3. Upper Access Panel
4. Lower Access Panel
5. Supply & Return Shut off Valve
6. Cooling / Heating Actuator
7. Combined Chilled & Hot Water Coil
8. Fan Motor
9. Electrical Box
10. Swaged Riser Connection
11. Exhaust Air Intake / Discharge
12. Fresh Air Intake
13. Return Air Filter
14. Removable ERV/HRV Core
15. Inner Lower Access Panel
16. Inner Upper Access Panel
17. Motor Access Panel
18. ERV/HRV Core Access Panel
19. P-Trap
20. ERV/HRV Air Filter

UP TO 86% SENSIBLE EFFECTIVENESS ON HEATING & UP TO 80% SENSIBLE COOLING FOR LOW SPEED

### Performance Range

#### Air Volume

Fan Coil - 350 to 1200 CFM @ 0.5 ESP

ERV - 50 to 120 CFM up to 1.0 ESP

#### Thermal Performance

Fan Coil - Nominal ¾ to 3 ton Cooling

Nominal 15 MBH to 84 MBH Heating

ERV - Enthalpic Core up to 76%

Cooling, 82% Sensible Heating at 64 CFM

Weight & Dimensional Data					
Unit Size CFM-Ton	A	B	H	Return Air Filter size	Weight
350 - .75T	24"	20"	84"	24"X24"X1"	244lb
450 - 1.0T	24"	20"	84"	24"X24"X1"	244lb
650 - 1.5T	24"	20"	84"	24"X24"X1"	250lb
800 - 2.0T	24"	20"	84"	24"X24"X1"	262lb
1000-2.5T	24"	20"	84"	24"X24"X1"	286lb
1200-3.0T	24"	20"	84"	24"X24"X1"	286lb

