



Generation Two 4 Pipe Units

MODEL CIS-G2 350-1200 CFM

With “A” Coil and High Efficiency Integral ERV

Hot Water / Chilled Water



Introducing Climetec’s NEW Gen 2 Vertical High Rise Fan Coil units. These units are built with a higher degree of efficiency and greater thermal recovery. The Gen 2 units are perfect for use in high rise condos, apartments, Long Term Care Units, and hotels.

The unit will arrive fully assembled. All units are crafted with AHRI Certified ERV cores. All of our vertical fan coils meet the requirements of UL 1995/ CSA 22.2 #236- Standard for Safety heating and cooling equipment. Each unit is manufactured using high quality 18-gauge steel and is fully insulated with closed cell flexible elastomeric foam insulation. Each unit is crafted with Industry Standard Electronically Commutated Fan Motors (ECM). The access panels are designed for easy access for maintenance. Each unit is equipped with a standard MERV 8 filter.

Optional Unit Additions:

- Double deflection supply air grille with opposed blade dampers
- 7 day programmable 3 speed wifi accessible thermostat
- Optional freeze protection package, flood protection package, drain pan overflow switch, BTU meter available
- Raised bases available
- MERV filters can be upgraded to MERV 11 or MERV 13

FOR MORE INFORMATION PLEASE VISIT [WWW.HTTPS://CLIMETECMANUFACTURING.CA/](https://climetecmanufacturing.ca/)

CONTACT US AT P: 905-660-0700 E: info@climetec.ca

161 Milani Blvd, Vaughan, Ontario, Canada

Copyright 2018 climetec

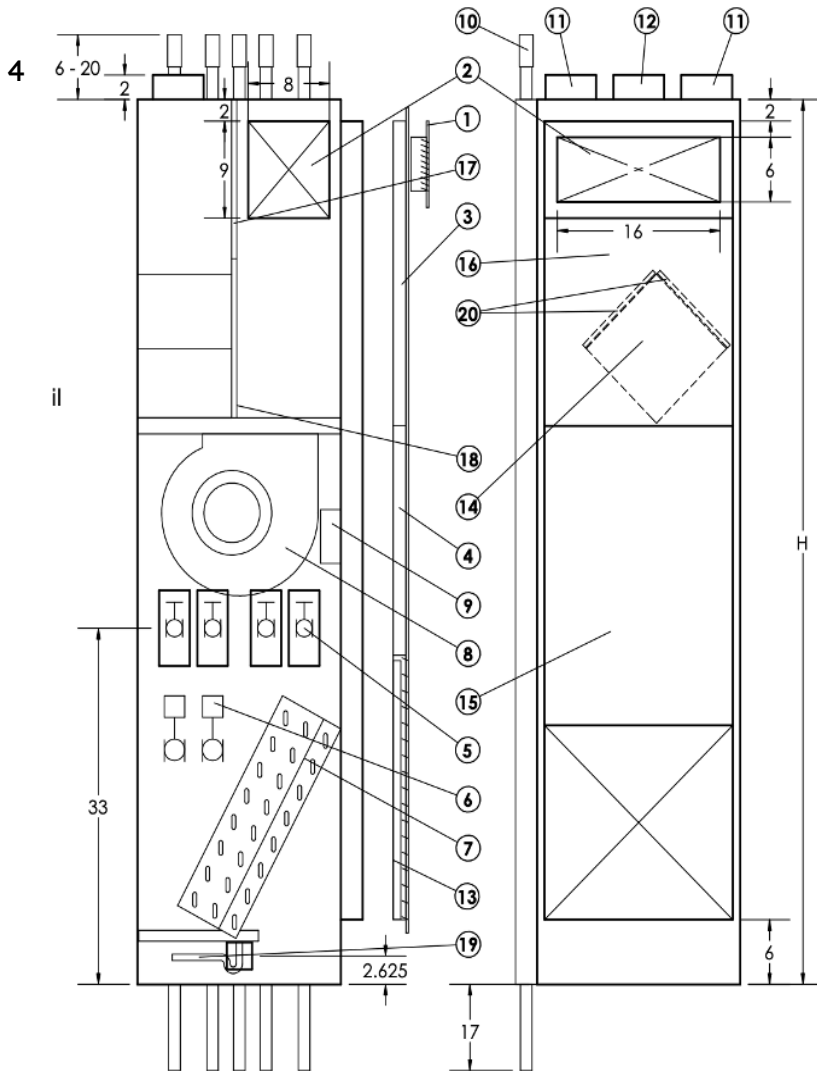


Generation Two 4 Pipe Unit

Model CIS-G2, 350-1200 CFM

With "A" Coil and High Efficiency Integral ERV

Hot Water / Chilled Water



Coil Options-
Row Chilled Water, 2 Row Hot Water

1. Supply Air Grille
2. Optional Side, Front or Top Opening
3. Upper Access Panel
4. Lower Access Panel
5. Supply & Return Shut off Valve
6. Cooling / Heating Actuator
7. Combined Chilled & Hot Water Coil
8. Fan Motor
9. Electrical Box
10. Swaged Riser Connection
11. Exhaust Air Intake / Discharge
12. Fresh Air Intake
13. Return Air Filter
14. Removable ERV/HRV Core
15. Inner Lower Access Panel
16. Inner Upper Access Panel
17. Motor Access Panel
18. ERV/HRV Core Access Panel
19. P-Trap
20. ERV/HRV Air Filter

UP TO 86% SENSIBLE EFFECTIVENESS ON HEATING & UP TO 80% SENSIBLE COOLING FOR LOW SPEED

Performance Range

Air Volume

Fan Coil - 350 to 1200 CFM @ 0.5 ESP

ERV - 50 to 120 CFM up to 1.0 ESP

Thermal Performance

Fan Coil - Nominal ¾ to 3 ton Cooling

Nominal 15 MBH to 84 MBH Heating

ERV - Enthalpic Core up to 76%

Cooling, 82% Sensible Heating at 64 CFM

Weight & Dimensional Data					
Unit Size CFM-Ton	A	B	H	Return Air Filter size	Weight
350 - .75T	24"	20"	84"	24"X24"X1"	244lb
450 - 1.0T	24"	20"	84"	24"X24"X1"	244lb
650 - 1.5T	24"	20"	84"	24"X24"X1"	250lb
800 - 2.0T	24"	20"	84"	24"X24"X1"	262lb
1000-2.5T	24"	20"	84"	24"X24"X1"	286lb
1200-3.0T	24"	20"	84"	24"X24"X1"	286lb

