

4 PIPE STANDARD FAN COIL

Model TD 350-1200 CFM

HOT WATER / CHILLED WATER

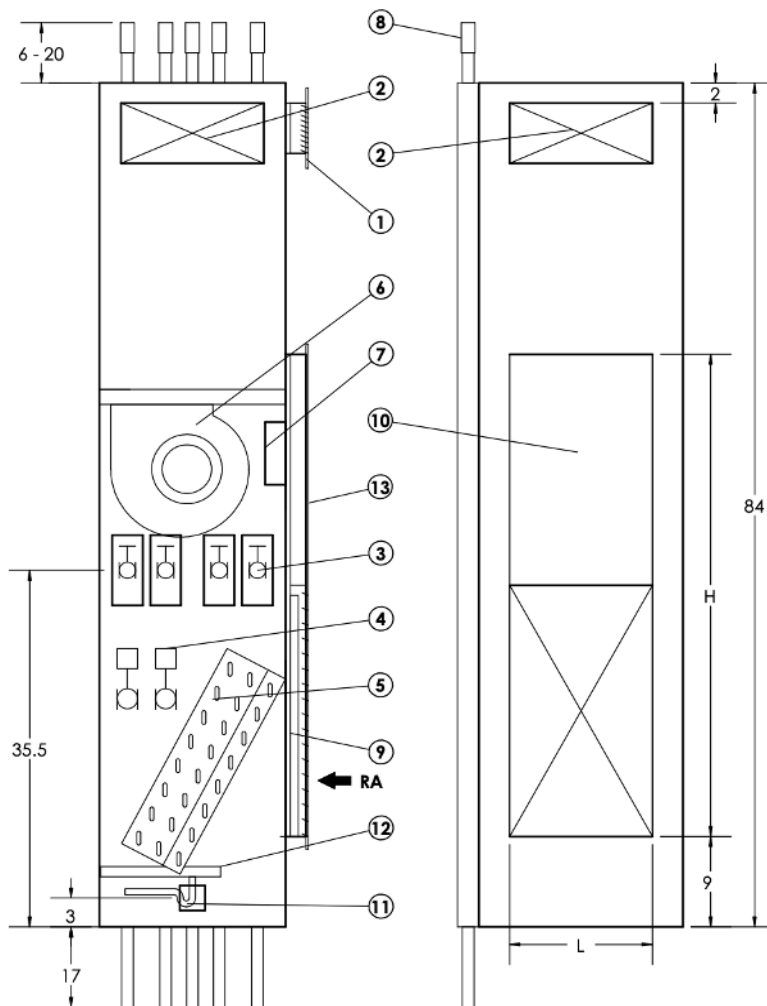
Coil Options-

4 Row Chilled Water, 2 Row Hot Water

1. Supply Air Double Deflection Grille, 3 Sides Optional
2. Optional Side, Front or Top Opening, Sizes: 14x4, 14x6, 14x8, 14x10, 14x12
3. Supply & Return Shut Off Valve
4. Heating/ Cooling Valve Actuator
5. Combined Chilled and Hot

Water Coil

6. Fan Motor + ECM
7. Electrical Box + CW Disconnect
8. Swaged Riser Connection
9. Return Air Filter (Merv Air Standard)
10. Motor Access Panel
11. P-Trap
12. Drain Pan
13. Front Access Panel with RA Grille



Performance Range

Air volume

Fan Coil 350-1200 CFM @ 0.5 ESP

Thermal Performance

Fan Coil- Nominal ¾ to 3 ton cooling

Nominal 15 MBH to 84 MBH Heating

Dimensional Data					
Unit Size	A	B	L	H	Return Air Filter size
350	17.75"	18.25"	14"	48"	14"X20"X1"
450	17.75"	18.25"	14"	48"	14"X20"X1"
650	17.75"	18.25"	14"	48"	14"X20"X1"
800	20"	18.25"	16"	52"	16"X20"X1"
1000	20"	18.25"	16"	52"	16"X20"X1"
1200	20"	18.25"	16"	52"	16"X20"X1"

