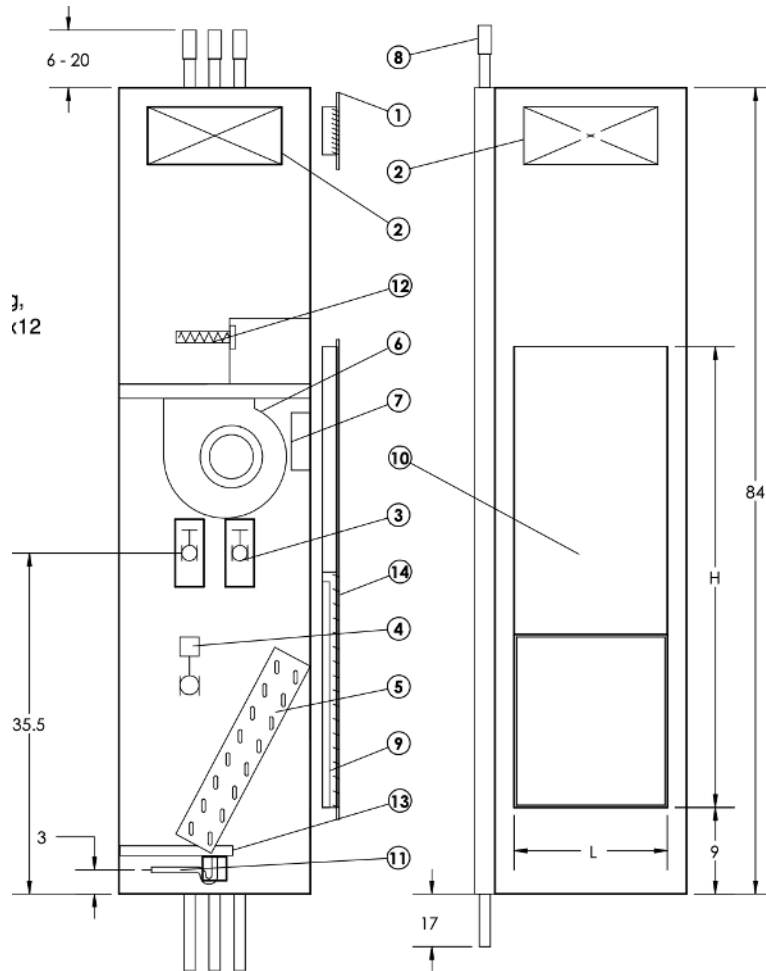


2 PIPE STANDARD FAN COIL

Model TCE 350-1200 CFM

HOT WATER / CHILLED WATER WITH AUXILIARY ELECTRIC HEATING AND FRESH AIR INLET



Coil Options- 4 Row Coil

1. Supply Air Grille Three Sides
Optional
2. Optional Slide, Front or Top
Opening (Sizes; 14x4, 14x6, 14x8,
14x10 14x12)
3. Supply & Return Shut off Valve
4. Cooling / Heating Actuator
5. Water Coil
6. Fan Motor
7. Electrical Box
8. Swaged Riser Connection
9. Return Air Filter
10. Motor Access Panel
11. P-Trap
12. Electric Heating Coil
13. Drain Pan
14. Front Access Panel with RA
Grille

Performance Range

Air volume
Fan Coil 350-1200 CFM @ 0.5 ESP

Thermal Performance

Fan Coil- Nominal ¾ to 3 ton cooling
Nominal 15 MBH to 84 MBH Heating

Dimensional Data					
Unit Size	A	B	L	H	Return Air Filter size
350	17.75"	18.25"	14"	48"	14"X20"X1"
450	17.75"	18.25"	14"	48"	14"X20"X1"
650	17.75"	18.25"	14"	48"	14"X20"X1"
800	20"	18.25"	16"	52"	16"X20"X1"
1000	20"	18.25"	16"	52"	16"X20"X1"
1200	20"	18.25"	16"	52"	16"X20"X1"

