

VERTICAL HIGH RISE FAN COIL - QUIET COMFORT BY DESIGN**2 PIPE STANDARD UNITS****MODEL TCE, 350-1200 CFM****HOT WATER / CHILLED WATER WITH AUXILIARY ELECTRIC HEATER**

Climetec's Vertical High Rise Fan Coil 2 pipe units can be quoted with or without the risers. The 2 pipe units are perfect for use in high rise condos, apartments, Long Term Care Units, and hotels.

Both unit variations will arrive fully assembled. If risers are specified, they can be attached to the fan coil cabinet or shipped separately. A small footprint allows the units to be furred into columns, walls, or closets without the need for expensive horizontal connection piping.

All of our vertical fan coils meet the requirements of UL 1995/ CSA 22.2 #236- Standard for Safety heating and cooling equipment. Each unit is manufactured using high quality 18-gauge steel and is fully insulated with ½ inch fiberglass duct liner with acrylic coating and flexible mat reinforcement to provide a smoother air stream surface. Each unit is crafted with Industry Standard Electronically Commutated Fan Motors (ECM). The access panels are designed for easy access for maintenance. Each unit has a standard MERV rating of 8.

**Optional Unit Additions:**

- Optional electric heat
- Double deflection supply air grille with opposed blade dampers
- 7 day programmable 3 speed wifi accessible thermostat
- Optional freeze protection package, flood protection package, drain pan overflow switch, BTU meter available (BTU meters are supplied via third party manufacturers, installed by Climetec at Climetec facilities)
- Raised bases available
- MERV filters can be upgraded to MERV 11 or MERV 13

FOR MORE INFORMATION PLEASE VISIT [WWW.https://climetecmanufacturing.ca/](https://climetecmanufacturing.ca/)

CONTACT US AT P: 905-660-0700 E: info@climetec.ca

161 Milani Blvd, Vaughan, Ontario, Canada

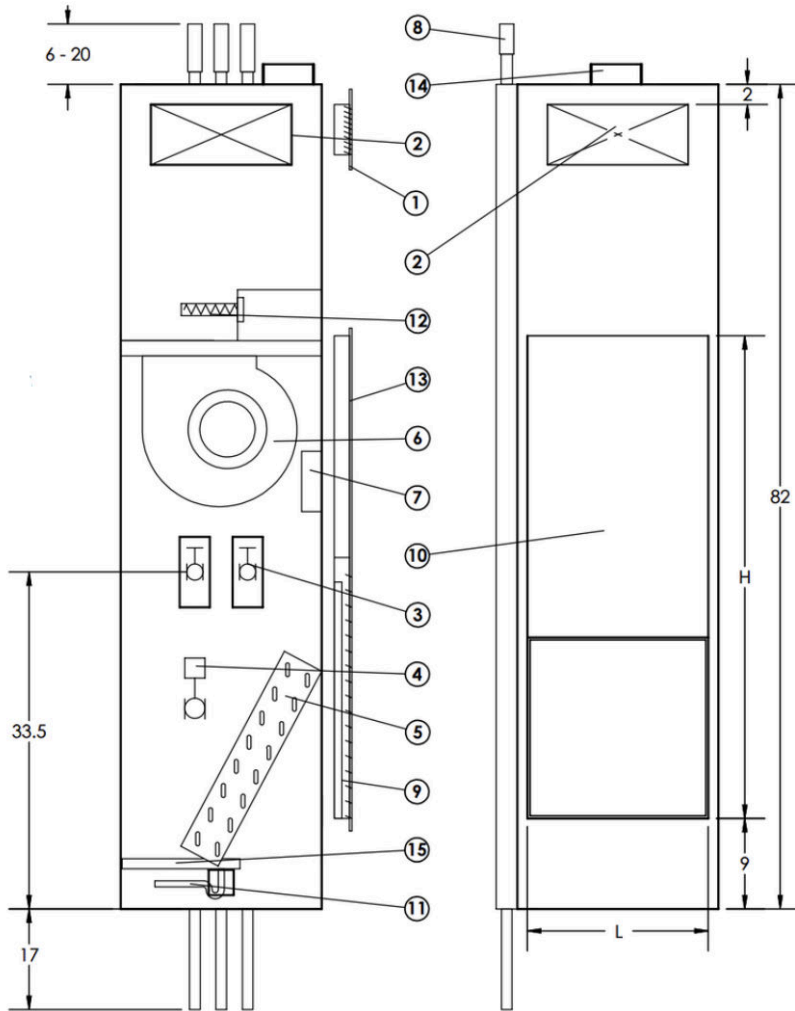
Copyright 2018 Climetec

2 PIPE STANDARD FAN COIL

Model TCE 350-1200 CFM

HOT WATER / CHILLED WATER WITH AUXILIARY ELECTRIC HEATER

Coil Options- 4 Row Coil



1. Supply Air Double Deflection Grille, Three Sides Optional
2. Optional Slide, Front or Top Opening, (Sizes; 14x4, 14x6, 14x8, 14x10 14x12)
3. Supply & Return Shut off Valve
4. Cooling / Heating Actuator
5. Water Coil
6. Fan Motor
7. Electrical Box
8. Swaged Riser Connection
9. Return Air Filter
10. Motor Access Panel
11. P-Trap
12. Electric Heating Coil
13. Drain Pan
14. Front Access Panel with RA Grille

Performance Range
 Air volume
 Fan Coil 350-1200 CFM @ 0.5 ESP

Thermal Performance
 Fan Coil- Nominal ¼ to 3 ton cooling
 Nominal 15 MBH to 84 MBH Heating

Dimensional Data					
Unit Size	A	B	L	H	Return Air Filter size
350	17.75"	19.75"	14"	48"	14"X20"X1"
450	17.75"	19.75"	14"	48"	14"X20"X1"
650	17.75"	19.75"	14"	48"	14"X20"X1"
800	20"	19.75"	16"	52"	16"X20"X1"
1000	20"	19.75"	16"	52"	16"X20"X1"
1200	20"	19.75"	16"	52"	16"X20"X1"

