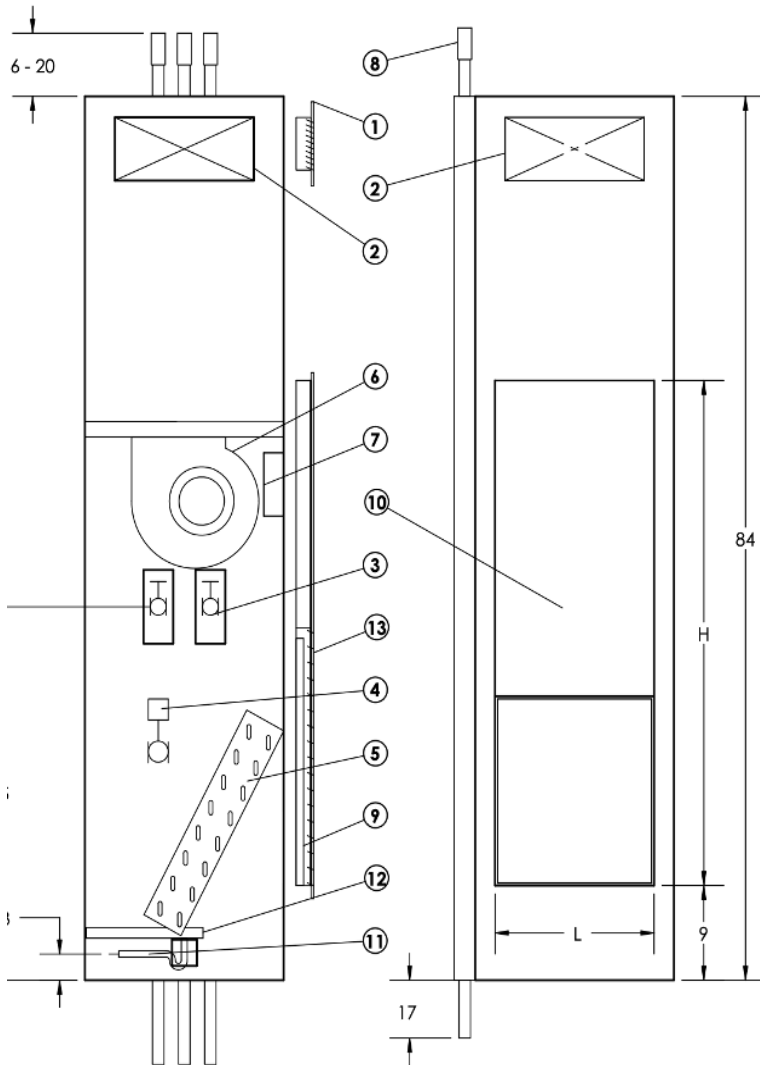


2 PIPE STANDARD FAN COIL

Model CT 350-1200 CFM

HOT WATER / CHILLED WATER



Coil Options- 4 Row Coil

1. Supply Air Grille
2. Front opening of Panel (Sizes; 14x4, 14x6, 14x8, 14x10 14x12)
3. Supply and Return Shut off Valve
4. Cooling / Heating Actuator
5. Water Coil
6. Fan Motor
7. Electrical Box
8. Swaged Riser Connection
9. Return Air Filter
10. Motor Access Panel
11. P-Trap
12. Drain Pan
13. Front Access Panel with RA Grille

Performance Range

Air volume
Fan Coil 350-1200 CFM @ 0.5 ESP

Thermal Performance

Fan Coil- Nominal ¾ to 3 ton cooling
Nominal 15 MBH to 84 MBH Heating

Dimensional Data					
Unit Size	A	B	L	H	Return Air Filter size
350	17.75"	18.25"	14"	48"	14"X20"X1"
450	17.75"	18.25"	14"	48"	14"X20"X1"
650	17.75"	18.25"	14"	48"	14"X20"X1"
800	20"	18.25"	16"	52"	16"X20"X1"
1000	20"	18.25"	16"	52"	16"X20"X1"
1200	20"	18.25"	16"	52"	16"X20"X1"

