

Vertical High Rise Integral Thermal Recovery Fan Coil

2 PIPE FAN COIL with INTEGRAL ERV MODEL CID, 350-1200 CFM

DX HEATING + COOLING WITH HOT WATER/CHILLED WATER

Climetec's Vertical 4 Pipe Fan Coil Units with Integral ERV help promote clean airflow by providing tempered constant fresh air circulation to the living space. Using high efficiency ECM motors to continuously exchange interior air with fresh outdoor air. The 2 pipe units are perfect for use in high rise condos, apartments, long term care facilities, and hotels.

Both unit variations will arrive fully assembled with factory-installed piping packages, controls and/or risers. A small footprint allows the units to be furred into columns, walls, or closets without the need for expensive horizontal connection piping.

All of our Integral ERV units meet the requirements of UL 1995/ CSA 22.2 #236- Standard for Safety heating and cooling equipment. Each integral unit is manufactured using high quality 18-gauge steel and is fully insulated with ½ inch closed-cell EPDM elastomeric foam insulation with low moisture absorption and low vapor transmission, with smooth and durable surface. Each unit is crafted with Industry Standard Electronically Commutated Fan Motors (ECM). The unit's access panels are specifically designed for easy access during maintenance. Each unit is equipped with a standard MERV 8 filter.



Optional Unit Additions:

- Optional 20-40-60 min bathroom timer switch.
- Integral units come with a defrost sequence activated when outdoor air temperature drops.
- Double deflection supply air grille with opposed blade dampers
- 7 day programmable 3 speed wifi accessible thermostat
- Optional freeze protection package, flood protection package, drain pan overflow switch, BTU meter available (BTU meters are supplied via third party manufacturers, installed by Climetec at Climetec facilities)
- Raised bases available
- MERV filters can be upgraded to MERV 11 or MERV 13

FOR MORE INFORMATION PLEASE VISIT [WWW.https://climetecmanufacturing.ca/](https://climetecmanufacturing.ca/)

CONTACT US AT P: 905-660-0700 E: info@climetec.ca

161 Milani Blvd, Vaughan, Ontario, Canada

Copyright 2018 climetec



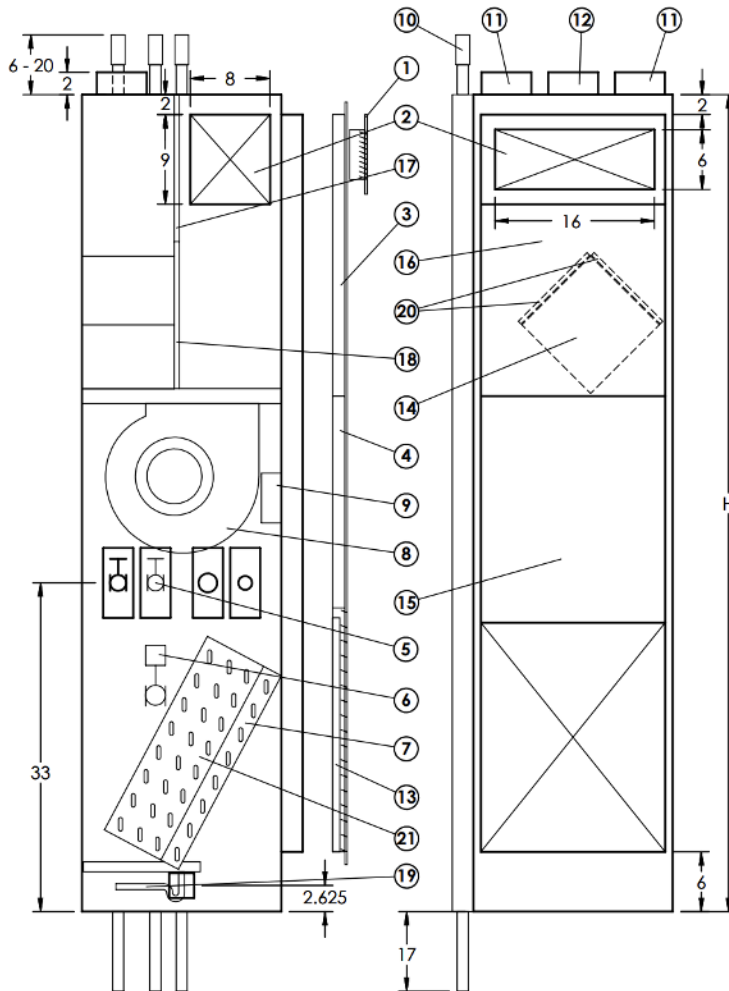
2 PIPE INTEGRAL FAN COIL ERV/HRV

Model CID 350-1200 CFM

DX HEATING + COOLING WITH HOT WATER/CHILLED WATER

Coil Options-

4 Row Chilled Water, 2 Row Hot Water



1. Supply Air Grille
2. Optional Side, Front or Top Opening
3. Upper Access Panel
4. Lower Access Panel
5. Supply & Return Shut off Valve
6. Heating Actuator
7. Hot Water Coil
8. Fan Motor
9. Electrical Box
10. Swaged Riser Connection
11. Exhaust Air Intake / Discharge
12. Fresh Air Intake
13. Return Air Filter
14. Removable ERV/HRV Core
15. Inner Lower Access Panel
16. Motor Access Panel
17. ERV/HRV Core Access Panel
18. P-Trap
19. ERV/HRV Air Filter
20. DX Coil

Performance Range

Air Volume

Fan Coil - 350 to 1200 CFM @ 0.5 ESP

ERV - 50 to 120 CFM up to 1.0 ESP

Thermal Performance

Fan Coil - Nominal ¼ to 3 ton Cooling

Nominal 15 MBH to 84 MBH Heating

ERV - Enthalpic Core up to 85% Cooling,
75% Sensible Heating

Dimensional Data				
Unit Size	A	B	H	Return Air Filter size
350	20"	20"	82"	24"X20"X1"
450	20"	20"	82"	24"X20"X1"
650	20"	20"	82"	24"X20"X1"
800	20"	20"	82"	24"X20"X1"
1000	20"	20"	82"	24"X20"X1"
1200	20"	20"	82"	24"X20"X1"

