

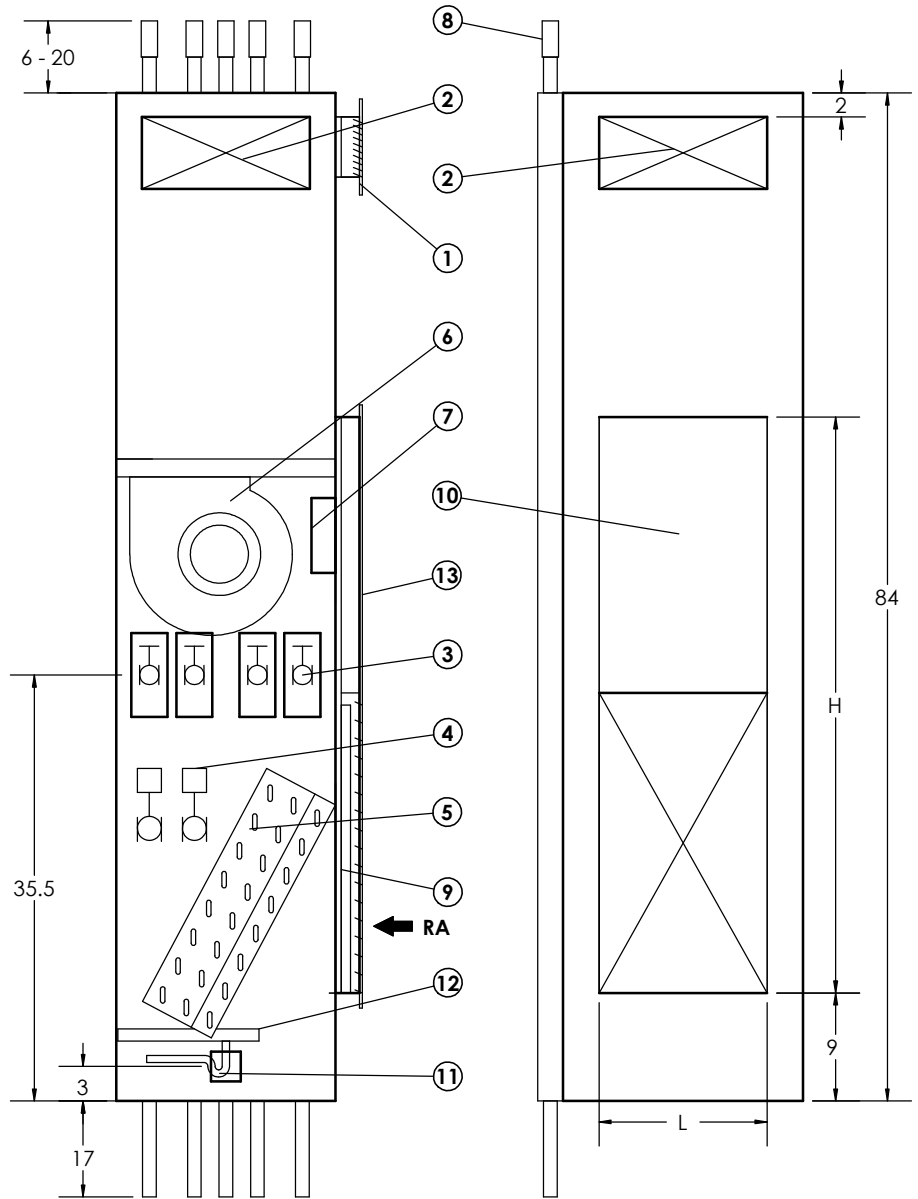
4 PIPE FANCOIL

Model TD - 350~1200 : Chilled and Hot Water

Coil Options:

- 4 Row Chilled Water, 2 Row Hot Water

1. Supply Air Double Deflection Grille, 3 Sides Optional
2. Optional Side, Front or Top Opening, Sizes: 14x4, 14x6, 14x8, 14x10, 14x12
3. Supply & Return Shut off Valve
4. Cooling / Heating Valve/Actuator
5. Combined Chilled and Hot Water Coil
6. Fan Motor
7. Electrical Box
8. Swaged Riser Connection
9. Return Air Filter
10. Motor Access Panel
11. P-Trap
12. Drain Pan
13. Front Access Panel With RA Grille



Performance Range
Air Volume
Fan Coil - 350 to 1200 CFM @ 0.5 ESP

Thermal Performance
Fan Coil - Nominal ¼ to 3 ton cooling
Nominal 15 MBH to 84 MBH heating

Dimensional Data					
Unit Size	A	B	L	H	Return Air Filter size
350	17.75"	18.25"	14"	48"	14"X20"X1"
450	17.75"	18.25"	14"	48"	14"X20"X1"
650	17.75"	18.25"	14"	48"	14"X20"X1"
800	20"	18.25"	16"	52"	16"X20"X1"
1000	20"	18.25"	16"	52"	16"X20"X1"
1200	20"	18.25"	16"	52"	16"X20"X1"

