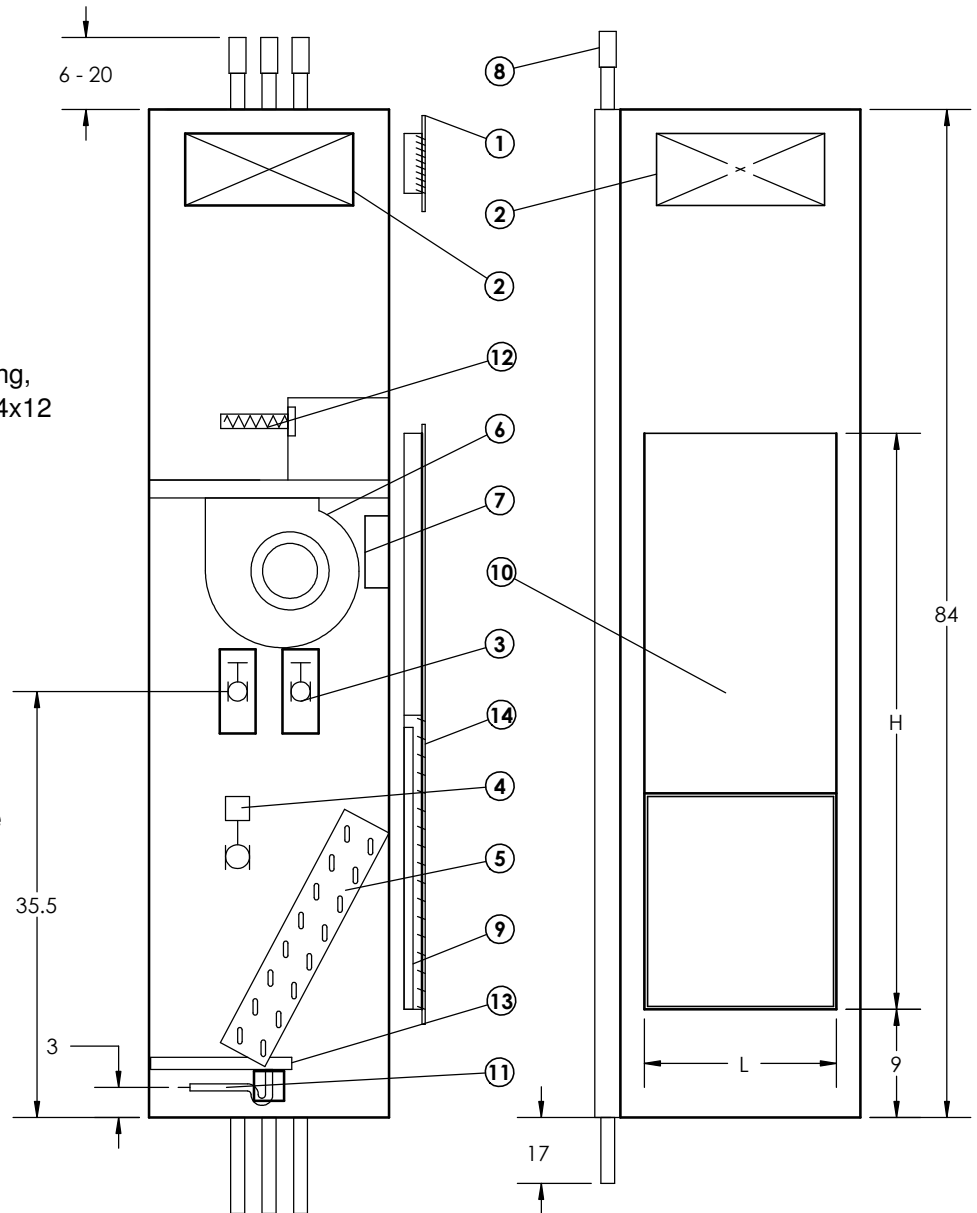


2 PIPE FANCOIL

Model TCE - 350~1200 : Chilled/Hot Water With Auxillary Electric Heater

Coil Options: - 4 Row Coil

1. Supply Air Grille
2. Optional Side, Front or Top Opening, Sizes: 14x4, 14x6, 14x8, 14x10, 14x12
3. Supply & Return Shut off Valve
4. Cooling / Heating Actuator
5. Water Coil
6. Fan Motor
7. Electrical Box
8. Swaged Riser Connection
9. Return Air Filter
10. Motor Access Panel
11. P-Trap
12. Electric Heating Coil
13. Drain Pan
14. Front Access Panel With RA Grille



Performance Range
Air Volume
Fan Coil - 350 to 1200 CFM @ 0.5 ESP

Thermal Performance
Fan Coil - Nominal 3/4 to 3 ton cooling
Nominal 15 MBH to 84 MBH heating

Unit Size	Dimensional Data				Return Air Filter size
	A	B	L	H	
350	17.75"	18.25"	14"	48"	14"X20"X1"
450	17.75"	18.25"	14"	48"	14"X20"X1"
650	17.75"	18.25"	14"	48"	14"X20"X1"
800	20"	18.25"	16"	52"	16"X20"X1"
1000	20"	18.25"	16"	52"	16"X20"X1"
1200	20"	18.25"	16"	52"	16"X20"X1"

