



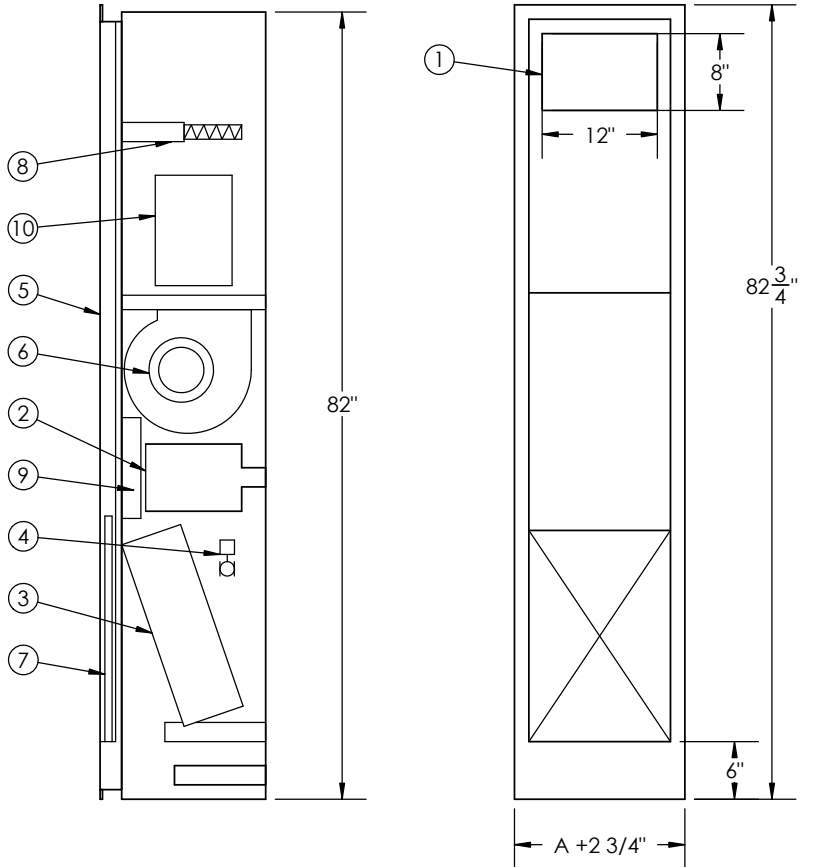
RETROFIT FAN COIL 2 OR 4 PIPE DRAW THROUGH UNIT

Model CR/CRS/CRE: Chilled / Hot Water With Humidifier

Coil Arrangement:

- 4 Row Coil

1. Supply Air Grille
2. Riser Connection
3. Coil
4. Actuator & Valve Body
5. Access panel
6. ECM Fan Motor
7. Filter
8. Electrical Heater
9. Hinged Electrical Box
10. Humidifier

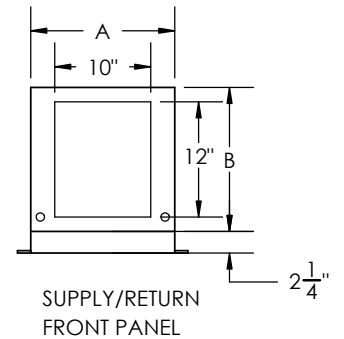


Performance Range

Air Volume

Fancoil - 350-800 CFM @ 0.3 ESP

Dimensional Data				
Model	Unit Size	A	B	Filter Size
CR/E/S-3	350	15"	15"	14" x24"
CR/E/S-4	450	15"	15"	14" x24"
CR/E/S-6	600	15"	15"	14" x24"
CR/E/S-8	800	19"	18"	18" x24"



Thermal Performance

Fancoil - Nominal 3/4 to 2 ton cooling
Nominal 15 MBH to 73 MBH heating