



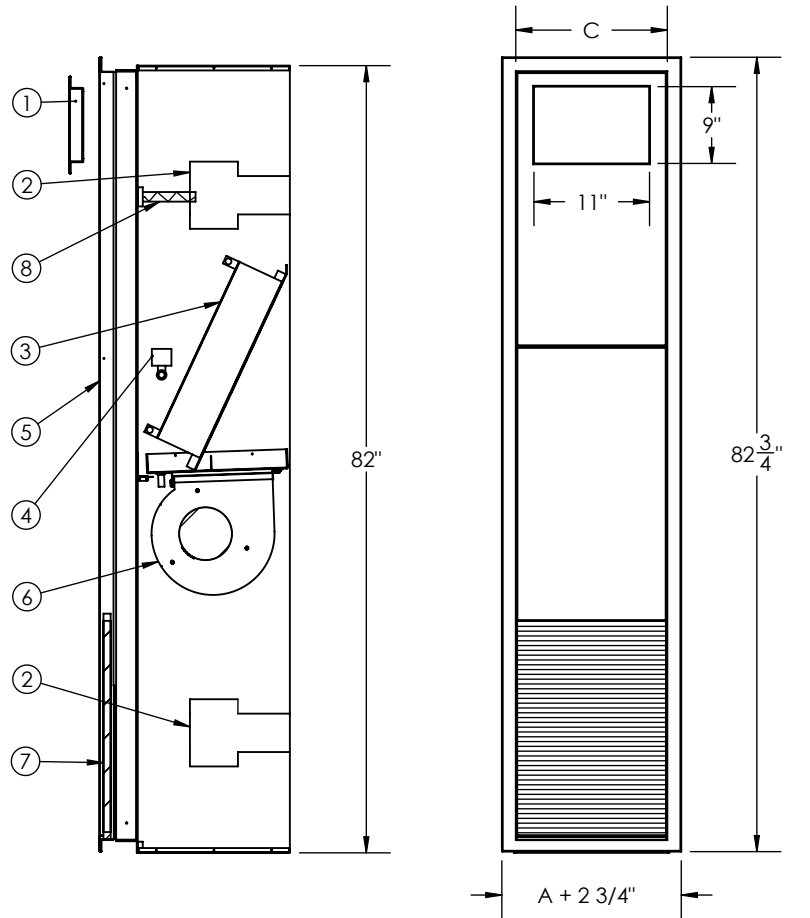
RETROFIT FAN COIL 2 OR 4 PIPE BLOW THROUGH UNIT

Model BR/BRS/BRE: Chilled / Hot Water

Coil Arrangement:

- 4 Row Coil

1. Supply Air Grille
2. Riser Connection
3. Coil
4. Actuator & Valve Body
5. Access panel
6. ECM Fan Motor
7. Filter
8. Electrical Heater

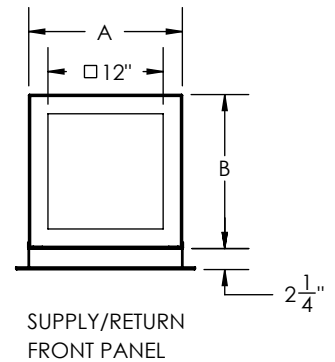


Performance Range

Air Volume

Fancoil - 350-800 CFM @ 0.3 ESP

Dimensional Data					
Model	Unit Size	A	B	C	Filter Size
BR/E/S-3	350	15"	15"	15"	14" x24"
BR/E/S-4	450	15"	15"	15"	14" x24"
BR/E/S-6	600	15"	15"	15"	14" x24"
BR/E/S-8	800	19"	18"	19"	18" x24"



Thermal Performance

Fancoil - Nominal 3/4 to 2 ton cooling
Nominal 15 MBH to 73 MBH heating